



**SOLID**  
TO SUCCEED

TELESCOPIC BOOM LIFT

**XGS32ACK**



The print does not belong to the contract, nor a part of the vehicle purchase contract. We reserve the right to revise the product model, parameters, configuration based on the continuous improvement requirements of the product, without prior notice. Pictures are for reference only, and the specific product shall depend on the real product.

# XGS32ACK

Telescopic boom lift

## FEATURES

### MEASUREMENTS

32.6m working height  
Up to 300/460kg lift capacity

### PRODUCTIVITY

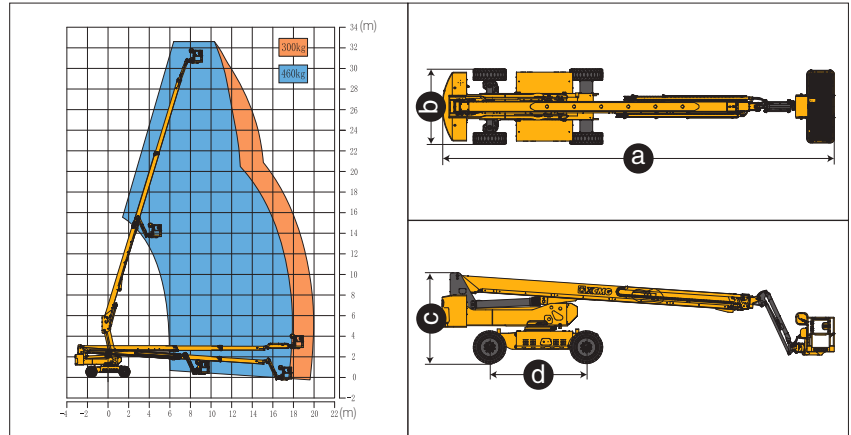
2.4m × 0.9m working platform  
4 driving wheels  
2 steering wheels  
45% theoretical gradeability  
360° continuous turntable rotation  
160° platform rotation  
4 wheel brake system  
Lift and lower alarm  
Horn  
Lowering and moving alarm  
Emergency power unit  
Axle balance pressure detection system  
Automatic leveling of platform  
Proportional joystick control  
Enable switch  
Workhour recorder  
Initiative anti-extrusion system  
Axle balance

### POWER

554Ah/80V Lithium battery  
12V DC proportional control

## OPTIONS

Tool tray  
Platform working light  
Platform anti-collision device



Item	Unit	XGS32ACK
Working height	m	32.5
Platform height	m	30.5
Working radius	m	20
Lift capacity	kg	300/460
Occupant capacity	-	3
Boom luffing range	°	-4~+73
Fly jib luffing range	°	-65~+70
Turntable rotation	°	360
Platform rotation	°	160
Drive speed (retracted/extended)	km/h	6/0.6
Turning radius (inside/outside)	m	3.5/6.5
Tailswing	mm	1930
Ground clearance	mm	320
Gradeability	%	45
Tires	-	15-625
Battery	V/Ah	80/554 Lithium
Charger	V/A	80/80 Lithium
Hydraulic tank	L	190
Weight	kg	18400
Platform size	mm	2400×900
a Length (transportation)	mm	12980/12110
b Width	mm	2490
c Height	mm	2900
d Wheelbase	mm	3200

SOLID TO SUCCEED