



**SOLID**  
TO SUCCEED

TELESCOPIC BOOM LIFT

# XGS32K



The print does not belong to the contract, nor a part of the vehicle purchase contract. We reserve the right to revise the product model, parameters, configuration based on the continuous improvement requirements of the product, without prior notice. Pictures are for reference only, and the specific product shall depend on the real product.

# XGS32K

## Telescopic boom lift

### FEATURES

#### MEASUREMENTS

32.6m working height  
Up to 300/460kg lift capacity

#### PRODUCTIVITY

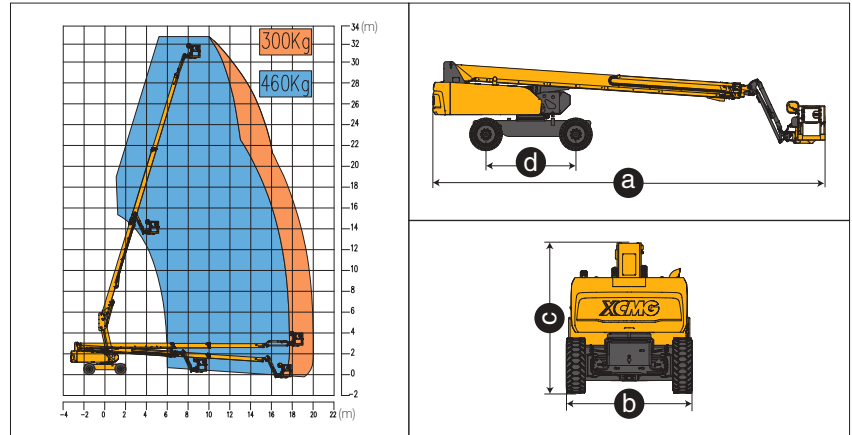
2.4m × 0.9m working platform  
4 driving wheels  
2 steering wheels  
4 wheel brake system  
45% theoretical gradeability  
360° turntable rotation  
Axle balance system  
Lift and lower alarm  
Platform automatic leveling system  
Proportional handle control  
Drive alarm  
Hourmeter recorder  
Lockable canopy  
Initiative anti-extrusion system  
Hydraulic oil cooler  
Turntable control box  
Flashing beacon  
Solid rubber tires

#### POWER

Engine protection devices  
Kubota Euro stage V emission  
12V DC emergency power

### OPTIONS

Tool tray  
Platform working light  
Foam-filled rough terrain tires  
AC power to the platform  
Platform anti-collision device



Item	Unit	XGS32K
Working height	m	32.6
Platform height	m	30.6
Working radius	m	20
Lift capacity	kg	300/460
Occupant capacity	-	3
Boom luffing range	°	-4~+73
Fly jib luffing range	°	-65~+70
Turntable rotation	°	360
Platform rotation	°	160
Drive speed (retracted/extended)	km/h	5.5/0.6
Turning radius (inside/outside)	m	4.4/6.25
Tailswing	mm	2030
Ground clearance	mm	400
Gradeability	%	45
Tires	-	15-625
Power source	-	Kubota V2607
Rated power	kW/(r/min)	48/(2400)
Fuel tank	L	180
Hydraulic tank	L	210
Weight	kg	18500
Platform size	mm	2400×900
a Length (transportation)	mm	13100/12110
b Width	mm	2490
c Height	mm	2920
d Wheelbase	mm	3000