



SOLID
TO SUCCEED

ARTICULATED BOOM LIFT

XGA20E



The print does not belong to the contract, nor a part of the vehicle purchase contract. We reserve the right to revise the product model, parameters, configuration based on the continuous improvement requirements of the product, without prior notice. Pictures are for reference only, and the specific product shall depend on the real product.

XGA20E

Articulated boom lift

FEATURES

MEASUREMENTS

20.63m working height
Up to 256/350kg lift capacity

PRODUCTIVITY

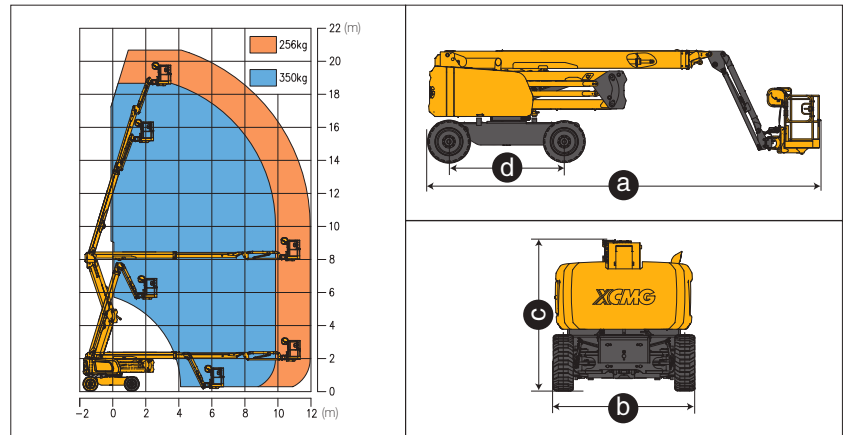
1.83m × 0.76m steel platform
4 driving wheels
2 steering wheels
45% theoretical gradeability
Axle balance system
Solid rubber tires
Platform automatic leveling system
160° platform rotation
Fully proportional multi-function controls
Hydraulic oil cooler
Enable switch
Hourmeter record
Tilt alarm
Lift and lower alarm
Drive alarm
360° continuous turntable rotation
Lockable canopy
High/Slow speed mode
Turntable control box
Engine status displayer
Steering lever control
Flashing beacon

POWER

Engine protection devices
Kubota Euro stage V emission
12V DC emergency power

OPTIONS

Tool tray
Platform working light
AC power to the platform
Platform anti-collision device
Foam-filled rough terrain tires
36.4kW 2600r/min Deutz D2.9L4



Item	Unit	XGA20E
Working height	m	20.63
Platform height	m	18.63
Working radius	m	12.08
Lift capacity	kg	256/350
Occupant capacity	-	2
1st Boom luffing range	°	0~72
2nd Boom luffing range	°	0~+73
Fly jib luffing range	°	-65~+70
Turntable rotation	°	360
Platform rotation	°	160
Drive speed (retracted/extended)	km/h	5.5/0.6
Turning radius (inside/outside)	m	2.3/5
Tailswing	mm	540
Ground clearance	mm	330
Gradeability	%	45
Tires	-	36×14-20
Power source	-	Kubota V2403
Rated power	kW/(r/min)	36.8/(2700)
Fuel tank	L	90
Hydraulic tank	L	120
Weight	kg	9900
Platform size	mm	1830×760
a Length (transportation)	mm	8520/6260
b Width	mm	2300
c Height	mm	2400
d Wheelbase	mm	2500

SOLID TO SUCCEED