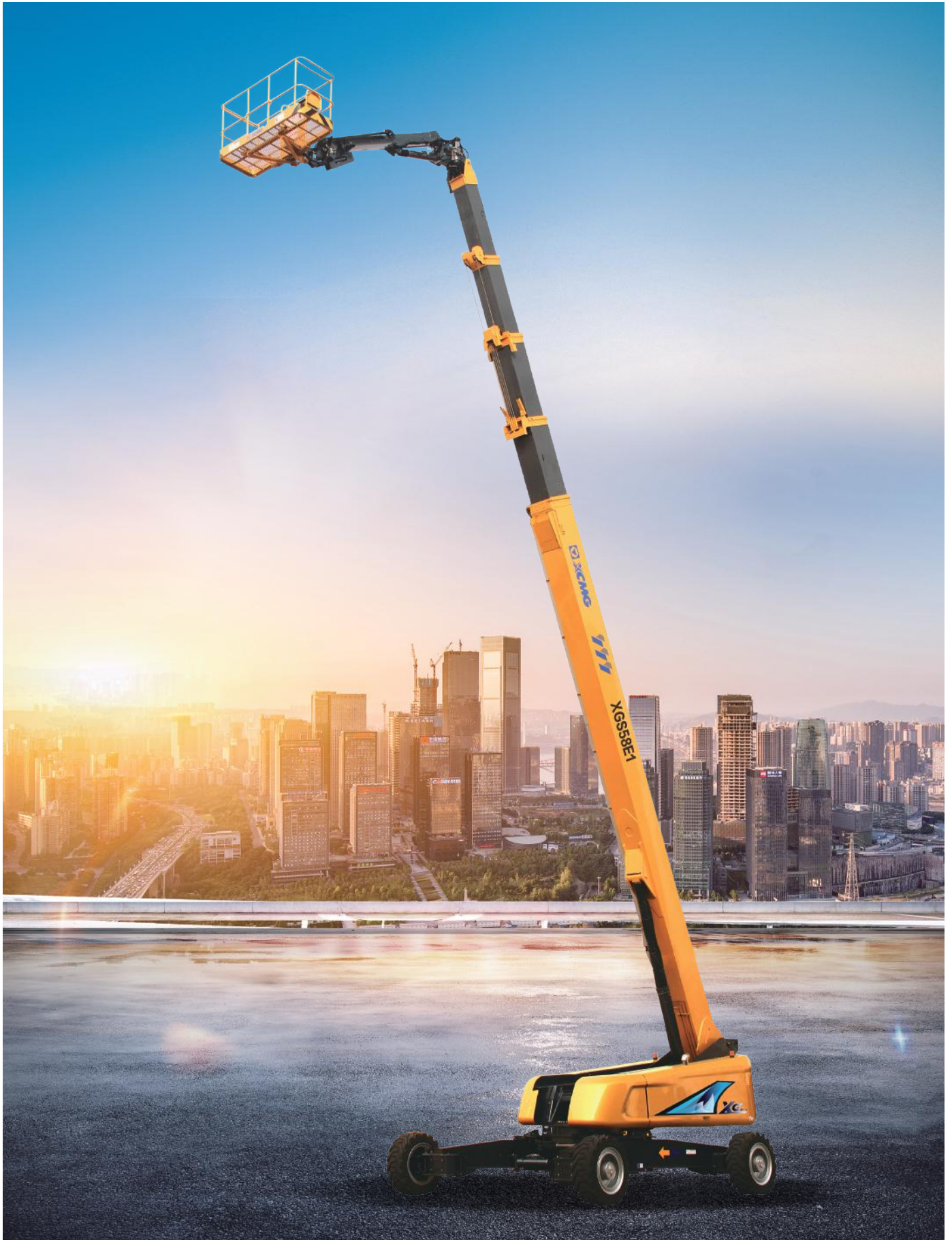




SOLID
TO SUCCEED

TELESCOPIC BOOM LIFT

XGS58E1



The print does not belong to the contract, nor a part of the vehicle purchase contract. We reserve the right to revise the product model, parameters, configuration based on the continuous improvement requirements of the product, without prior notice. Pictures are for reference only, and the specific product shall depend on the real product.

XGS58E1

Telescopic boom lift

FEATURES

MEASUREMENTS

58.6m working height
Up to 230/450kg lift capacity

PRODUCTIVITY

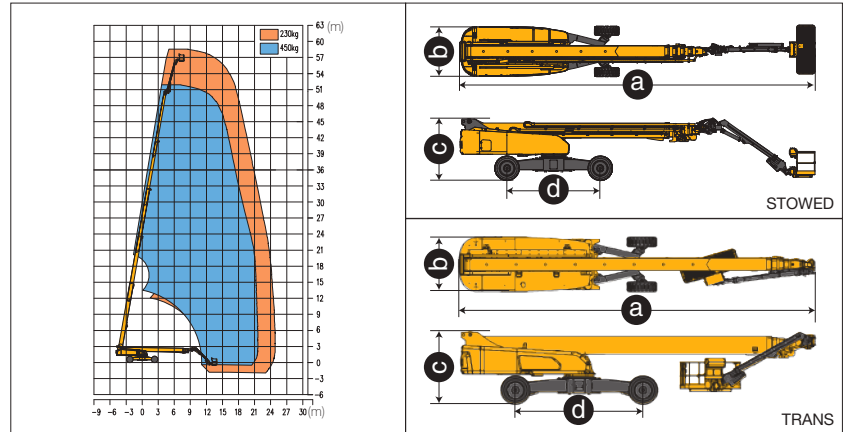
2.4m × 0.9m steel platform
4 driving wheels
4 steering wheels
40% theoretical gradeability
360° continuous turntable rotation
160° platform rotation
Enable switch
Hourmeter recorder
Drive alarm
Tilt alarm
Overload alarm
Lift and lower alarm
Turntable control box
Flashing beacon
Solid rubber tires
Hydraulic oil cooler
Steering lever control
Lockable canopy
Platform automatic leveling system
Fully proportional multi-function controls

POWER

Engine protection devices
12V DC emergency power

OPTIONS

Tool tray
Platform working light
Foam-filled rough terrain tires
AC power to the platform
Platform anti-collision device



Item	Unit	XGS58E1
Working height	m	58.6
Platform height	m	56.6
Working radius	m	24.8
Lift capacity	kg	230/450
Occupant capacity	-	3
Boom luffing range	°	-1~+80
Fly jib luffing range	°	-45~+75
Turntable rotation	°	360
Platform rotation	°	160
Drive speed (retracted/extended)	km/h	4.5/0.5
Turning radius axle retracted (inside/outside)	m	7.6/9.5
Turning radius axle extended (inside/outside)	m	2.8/6.6
Tailswing	mm	2320
Ground clearance	mm	250
Gradeability	%	45
Tires	-	455/55-25 R28
Power source	-	Cummins F3.8
Rated power	kW/(r/min)	75/(2200)
Fuel tank	L	200
Hydraulic tank	L	250
Weight	kg	27900
Platform size	mm	2400×900
Transportation dimension	mm	14600×2490×3070
a Length	mm	19450
b Width	mm	2490
c Height	mm	3070
d Wheelbase (axle retracted/axle extended)	mm	5200/4590